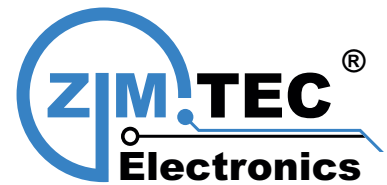


LQH2220 SERIES

HIGH CURRENT SURFACE-MOUNT WIRE-WOUND INDUCTORS

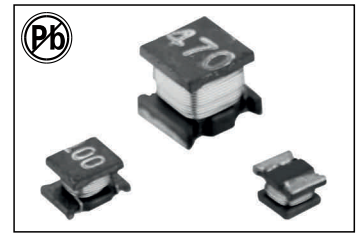


FEATURES:

- Ferrite Core
- High Frequency Design
- Lower DCR permits High Idc
- Available in E12 series
- Excellent Q SRF Values
- Lead free versions
- RoHS compliant
- Excellent Thermal Stability

COMMON APPLICATIONS:

- Modems PDP. LCD TVs convertor
- Mobile Radios DC/DC convertor
- Cordless Telephones Car radios
- Global Positioning Systems
- Wireless Communications Equipment
- Networking System,xDSL Filter
- Computer Products and Peripherals

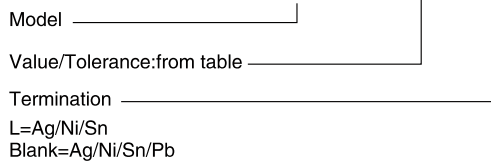


STANDARD SPECIFICATION

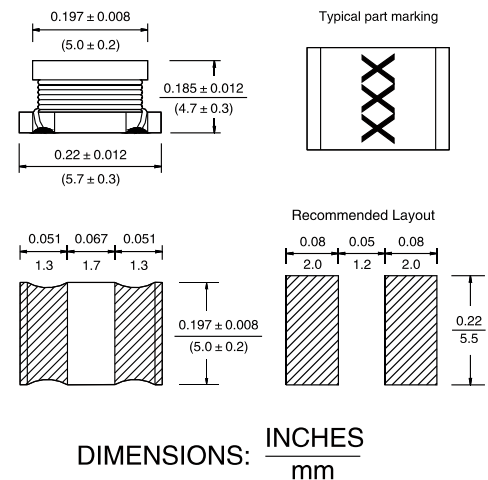
Part Number (LQH 2220 Series)	L (μH)	L Test Freq (KHz)	Q (Min)	Q Test Freq (MHz)	SRF (MHz)	DCR (Ω Max)	IDC (A Max)
LQH-2220-R12M	0.12	1	10	1	450	0.010	6.0
LQH-2220-R27M	0.27	1	10	1	300	0.014	5.3
LQH-2220-R47M	0.47	1	10	1	200	0.018	4.8
LQH-2220-1R0M	1.0	1	20	1	150	0.027	4.0
LQH-2220-1R5M	1.5	1	20	1	110	0.031	3.7
LQH-2220-2R2M	2.2	1	20	1	80	0.041	3.2
LQH-2220-3R3M	3.3	1	20	1	40	0.050	2.9
LQH-2220-4R7M	4.7	1	30	1	30	0.057	2.7
LQH-2220-6R8M	6.8	1	30	1	25	0.10	2.0
LQH-2220-100K	10	1	35	1	20	0.13	1.7
LQH-2220-150K	15	1	35	1	17	0.21	1.4
LQH-2220-220K	22	1	35	1	15	0.27	1.2
LQH-2220-330K	33	1	35	1	12	0.45	0.9
LQH-2220-470K	47	1	35	1	10	0.56	0.8
LQH-2220-680K	68	1	35	1	7.6	0.94	0.64
LQH-2220-101K	100	0.1	35	0.796	6.5	1.20	0.56
LQH-2220-151K	150	0.1	40	0.796	5.0	2.66	0.42
LQH-2220-221K	220	0.1	40	0.796	4.0	3.36	0.32
LQH-2220-331K	330	0.1	40	0.796	3.1	6.16	0.27
LQH-2220-471K	470	0.1	40	0.796	2.4	7.56	0.24
LQH-2220-681K	680	0.1	40	0.796	1.9	11.3	0.19
LQH-2220-102K	1000	0.01	40	0.796	1.7	14.4	0.15
LQH-2220-152K	1500	0.01	40	0.796	1.2	30.1	0.10
LQH-2220-222K	2200	0.01	40	0.796	1.1	45.0	0.09
LQH-2220-332K	3300	0.01	40	0.796	1.0	50.0	0.08
LQH-2220-472K	4700	0.01	40	0.796	0.8	61.0	0.07
LQH-2220-682K	6800	0.01	40	0.796	0.7	100	0.06
LQH-2220-822K	8200	0.01	40	0.796	0.6	125	0.05
LQH-2220-103K	10000	0.01	40	0.796	0.5	140	0.05

Note: 1. K= ± 10%, M= ± 20%

LQH2220-100M



PHYSICAL CHARACTERISTICS



ELECTRONICAL SCHEMATIC



TECHNICAL INFORMATION

- Inductance Testing: HP4195A, HP1619A, HP4286A or equivalent
- RDC: QuadTech 1880 Milliohmmeter
- Q-HP4342A
- SRF-HP4191A
- Rated Current L Value drop 10% typ. at DC against its initial value
- Temperature rise 40 °C max Reference ambient temperature
- Solderability: 75% of the terminal electrode shall be covered
- Operating Temperature: -25 °C to +85 °C
- Soldering Methods: Wave, Reflow
- Storage Temperature: -55 °C to +125 °C

Note: All specifications subject to change without notice.

ZimTec Electronics GmbH

Franz-Mehring-Weg 2, 39606 Osterburg, Germany

E-mail : info@zimtec-electronics.de

Web : www.zimtec-electronics.de

Last Update : 01.Jun.2015